



Benha University

Prof. Mohamed Ahmed Ebrahim

Benha University
Faculty of Engineering at Shoubra
Electrical Engineering Dept.



Industrial Controls (1)

By



Associate Prof. / Mohamed Ahmed Ebrahim Mohamed

E-mail: mohamedahmed_en@yahoo.com

mohamed.mohamed@feng.bu.edu.eg

Web site: <http://bu.edu.eg/staff/mohamedmohamed033>





Lecture (3)



Outline

- **What is a PLC?**
- **Why Use PLCs?**
- **What are the Main Components of PLC?**
- **On Inputs and Outputs**
- **On the Control Program**

What is a PLC?

PLC  Programmable Logic Controller

or programmable controller,

Or

المتحكم المنطقي القابل للبرمجة

So, what is it?

It is a Microprocessor-Based device used to control equipment in industrial applications

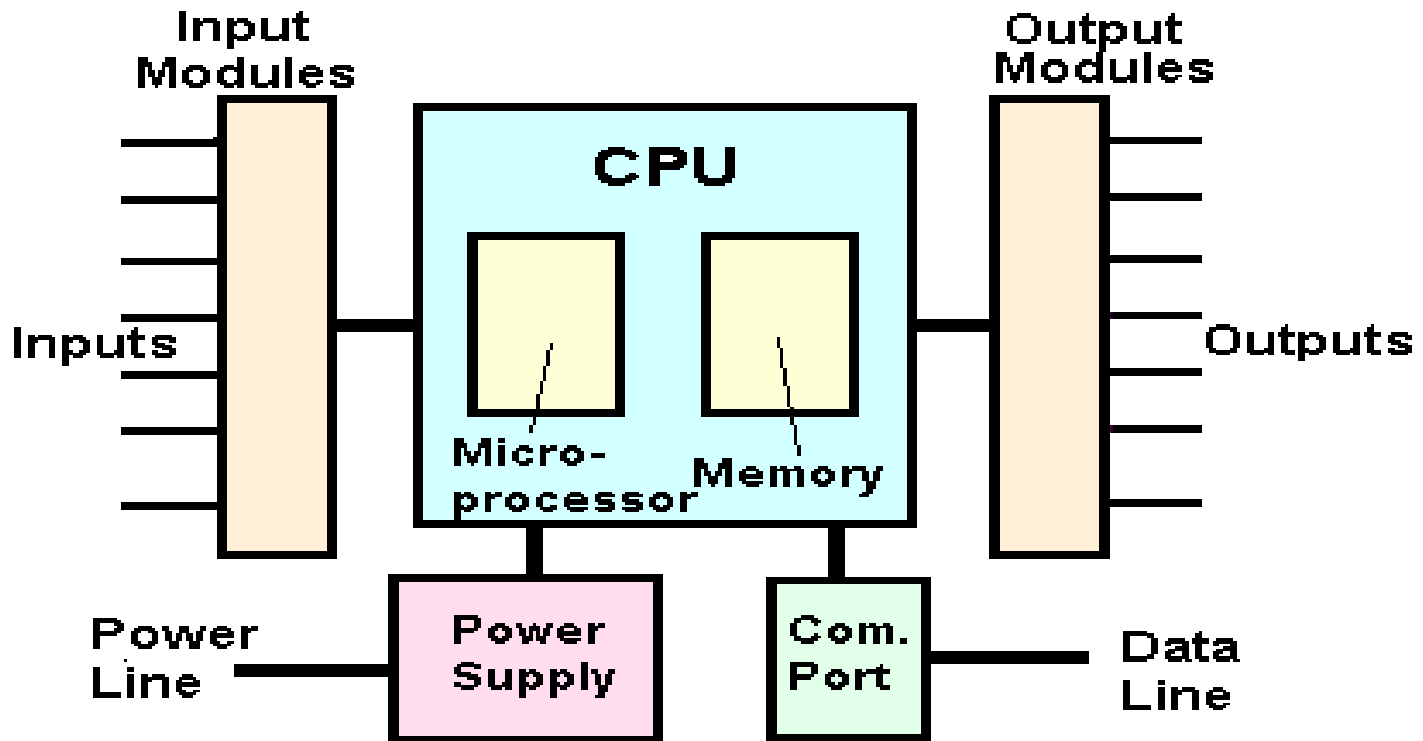
What is PLC

- PLC is a digital computer designed for multiple inputs and outputs arrangements, extended temperature ranges, immunity to electrical noise, and resistance to vibration and impact.
- A PLC is an example of a real time system.

Traditional concept of PLC

- PLC performs relay equivalent functions.
- PLC performs ON / OFF control.
- Designed for industrial environment.

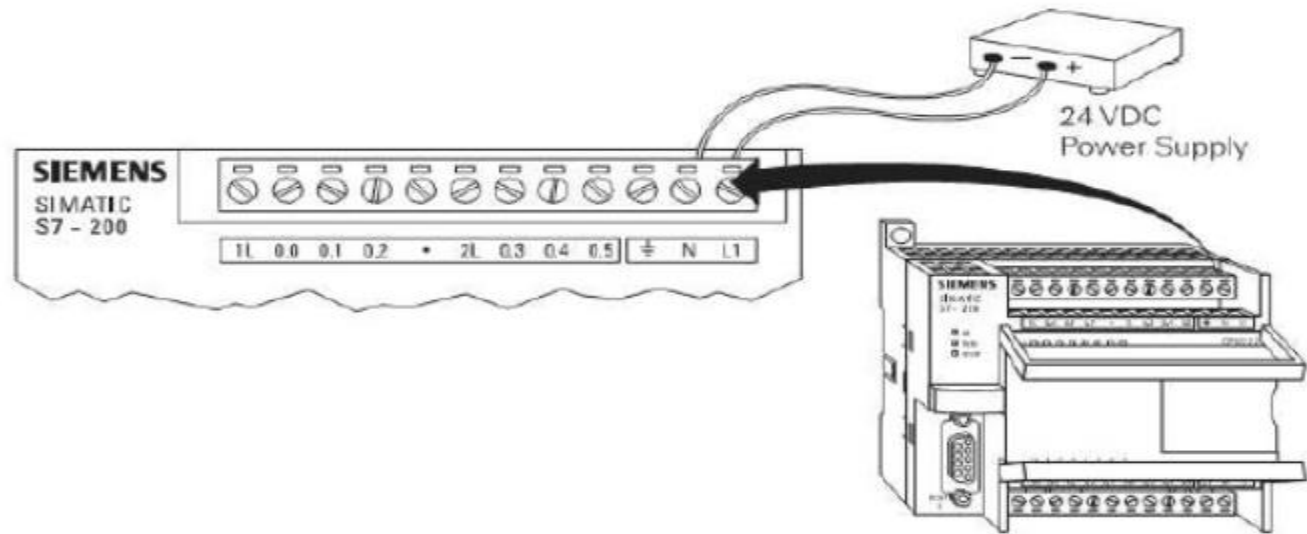
Major components of a common PLC



PLC Components

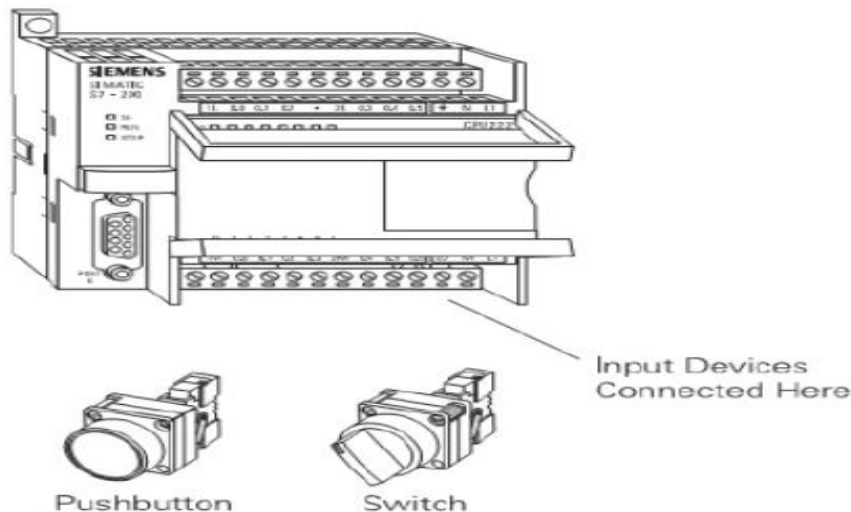
1. Power supply

- Provides the voltage needed to run the primary PLC components.
- is needed to convert the mains A.C voltage to low D.C. Voltage.



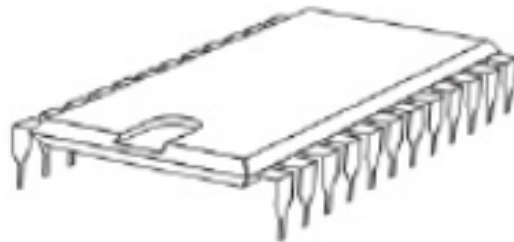
2. I/O Modules

- Provides signal conversion & isolation between the internal logic level signals inside the PLC and the fields high level signal.
- are where the processor receives information from external devices and communicates information to external devices.



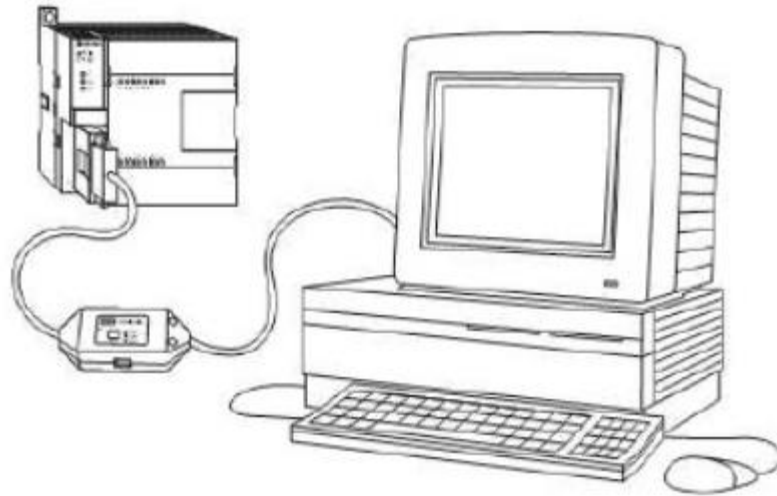
3. Processor

- Provides intelligence to command and govern the activities of the entire PLC systems.
- is the unit containing the microprocessor.



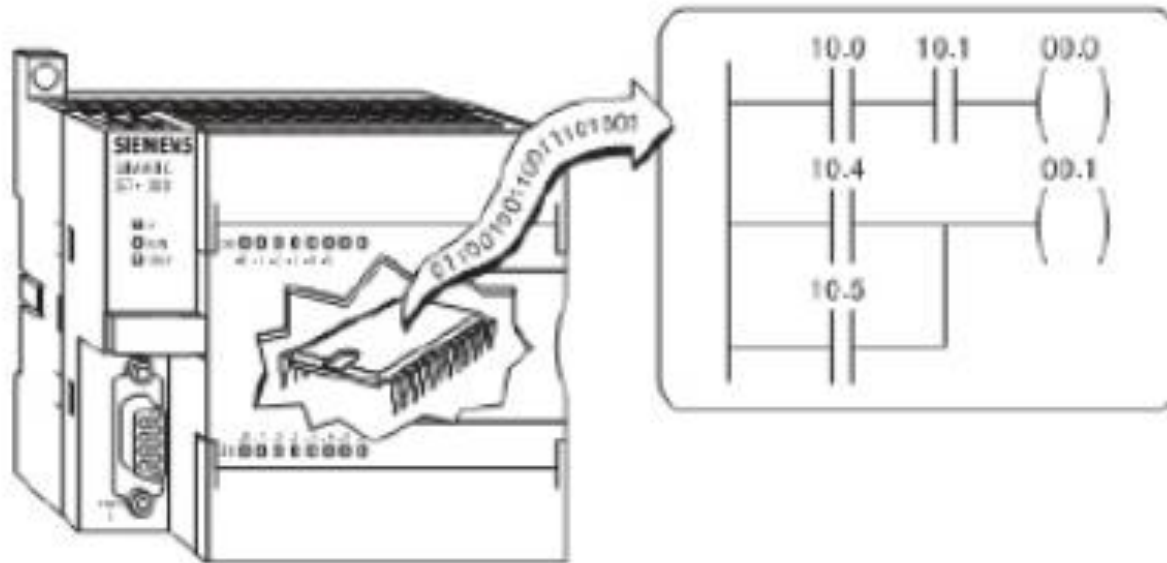
4. Programming device

- Used to enter the desired program that will determine the sequence of operation and control of process equipment or driven machine.
- is used to entered the required program into the memory of the processor.



5. Memory unit

- is where the program is stored that is to be used for control actions.



Thank You
For Your Attention



*Mohamed Ahmed
Ebrahim*